



US008471907B2

(12) **United States Patent**
Peters, III et al.

(10) **Patent No.:** **US 8,471,907 B2**
(45) **Date of Patent:** **Jun. 25, 2013**

(54) **METHOD OF PRODUCING A REMOTE IMAGING ARRAY**

(75) Inventors: **Leo J. Peters, III**, Houston, TX (US);
Chester L. Smitherman, Houston, TX (US)

(73) Assignee: **Visual Intelligence, LP**, Houston, TX (US)

(*) Notice: Subject to any disclaimer, the term of this patent is extended or adjusted under 35 U.S.C. 154(b) by 973 days.

4,322,741 A	3/1982	Kawabayashi
4,504,914 A	3/1985	Hofmann
4,650,305 A	3/1987	Hines
4,689,748 A	8/1987	Hofmann
4,708,472 A	11/1987	Hofmann
4,724,449 A	2/1988	Wright
4,750,810 A	6/1988	Tomlin et al.
4,757,378 A	7/1988	Hackett, Jr. et al.
4,764,008 A	8/1988	Wren
4,887,779 A	12/1989	Large
4,935,629 A	6/1990	Livermore et al.
4,956,705 A	9/1990	Wright
5,027,199 A	6/1991	Suzuki
5,029,009 A	7/1991	Ulich et al.

(Continued)

(21) Appl. No.: **12/583,815**

(22) Filed: **Aug. 26, 2009**

(65) **Prior Publication Data**

US 2009/0322883 A1 Dec. 31, 2009

Related U.S. Application Data

(62) Division of application No. 10/229,626, filed on Aug. 28, 2002, now Pat. No. 7,893,957.

(51) **Int. Cl.**
H04N 7/18 (2006.01)

(52) **U.S. Cl.**
USPC **348/144**; 348/143; 348/159

(58) **Field of Classification Search**
USPC 348/143, 144, 159
See application file for complete search history.

(56) **References Cited**

U.S. PATENT DOCUMENTS

1,699,136 A	1/1929	Eliel
2,104,976 A	1/1938	Eliel
2,433,534 A	12/1947	Sonne
2,747,012 A	5/1956	Dresser
2,955,518 A	10/1960	Perry
3,518,929 A	7/1970	Glenn

OTHER PUBLICATIONS

Mohamed M.R. Mostafa, Joe Hutton: *Emerge DSS: A Fully Digital System for Airborne Mapping*; Sep. 22-23, 2003; http://www.isprs.org/commission1/theory_tech_realities/.

(Continued)

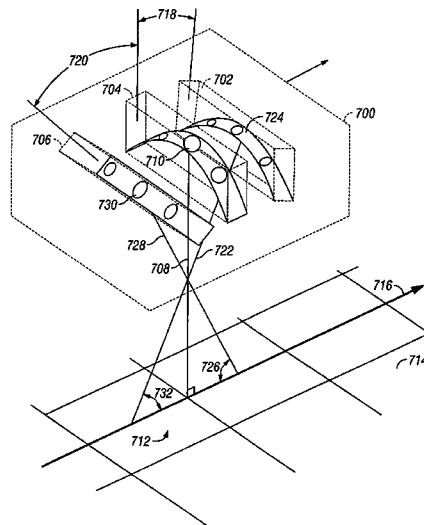
Primary Examiner — Allen Wong

(74) *Attorney, Agent, or Firm* — Gardere Wynne Sewell LLP

(57) **ABSTRACT**

The present invention provides a method of producing a remote imaging array. A first imaging sensor, having a focal axis, is coupled to a housing, having a curvilinear array axis, along the curvilinear array axis. A second imaging sensor, having a focal axis, is coupled to the housing along the curvilinear array axis adjacent to the first imaging sensor, such that the focal axes of the first and second imaging sensors intersect one another at an intersection area. A third imaging sensor, having a focal axis, is coupled to the housing along a curvilinear array axis adjacent to the first imaging sensor, opposite the second imaging sensor, such that the focal axes of the first and third imaging sensors intersect one another at the intersection area. The second and third imaging sensors' fields of view are aligned with target areas opposite their respective positions in the housing.

15 Claims, 5 Drawing Sheets



U.S. PATENT DOCUMENTS

5,104,217 A 4/1992 Pleitner
 5,138,444 A 8/1992 Hiramatsu
 5,193,124 A 3/1993 Subbarao
 5,249,034 A 9/1993 Minato
 5,276,321 A 1/1994 Chang
 5,426,476 A 6/1995 Fussell et al.
 5,467,271 A 11/1995 Abel et al.
 5,471,056 A 11/1995 Prelat
 5,517,419 A 5/1996 Lanckton et al.
 5,555,018 A 9/1996 Von Braun
 5,604,534 A 2/1997 Hedges et al.
 5,721,611 A 2/1998 Kellner
 5,734,507 A 3/1998 Harvey
 5,815,314 A 9/1998 Sudo
 5,872,590 A 2/1999 Aritake et al.
 5,878,356 A 3/1999 Garrot et al.
 5,894,323 A 4/1999 Kain et al.
 6,002,815 A 12/1999 Immega et al.
 6,055,012 A 4/2000 Haskell et al.
 6,125,329 A 9/2000 Place et al.
 6,281,970 B1 8/2001 Williams et al.
 6,422,508 B1 7/2002 Barnes
 6,456,938 B1 9/2002 Barnard
 6,473,119 B1 10/2002 Teuchert
 6,597,991 B1 7/2003 Meron et al.
 6,711,475 B2 3/2004 Murphy
 6,747,686 B1 6/2004 Bennett
 6,834,163 B2 12/2004 Trunz
 6,954,310 B2 10/2005 Holloway et al.
 7,006,709 B2 2/2006 Kang et al.
 7,127,348 B2 10/2006 Smitherman et al.
 7,437,062 B2 10/2008 Holcomb
 2002/0060784 A1 5/2002 Pack et al.
 2003/0138247 A1 7/2003 Trunz et al.

OTHER PUBLICATIONS

Richard D. Sanchez; Airborne Digital Sensor System and GPS-aided Inertial Technology for Direct Geopositioning in Rough Terrain; Open-File Report 2004-1391; USGS; Reston, VA.
 Non-Final Rejection dated Oct. 5, 2009 for U.S. Appl. No. 10/229,626.
 Final Rejection dated Mar. 17, 2009 for U.S. Appl. No. 10/229,626.
 Non-Final Rejection dated Aug. 20, 2008 for U.S. Appl. No. 10/229,626.
 Final Rejection dated Dec. 7, 2007 for U.S. Appl. No. 10/229,626.
 Non-Final Rejection dated Jul. 6, 2007 for U.S. Appl. No. 10/229,626.
 Advisory Action dated Mar. 29, 2007 for U.S. Appl. No. 10/229,626.
 Final Rejection dated Nov. 17, 2006 for U.S. Appl. No. 10/229,626.
 Non-Final Rejection dated Jan. 11, 2006 for U.S. Appl. No. 10/229,626.
 EP Supplemental Search Report (EP 03791891 May 14, 2007).
 EP Supplemental Search Report (EP 03755838 Sep. 29, 2008).
 International Search Report dated Feb. 7, 2005 for PCT application No. PCT/US03/29375.
 International Preliminary Examination Report dated Dec. 13, 2004 for PCT application No. PCT/US03/26950.
 International Search Report dated Oct. 20, 2004 for PCT application No. PCT/US03/26950.
 International Search Report dated Apr. 6, 1999 for PCT application No. PCT/JP98/05679.
 Communication pursuant to Article 94(3) EPC in EP App. No. 03 755 838.3-1236, dated Jul. 15, 2010.
 Final Rejection for U.S. Appl. No. 11/805,109, mailed on Aug. 5, 2010.

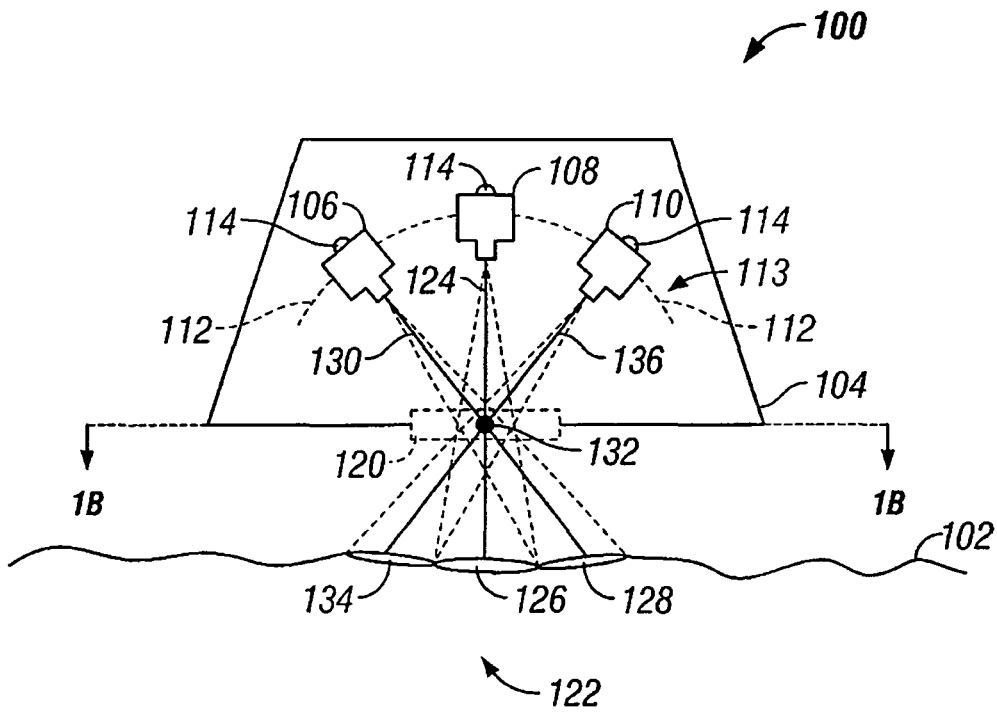


FIG. 1A

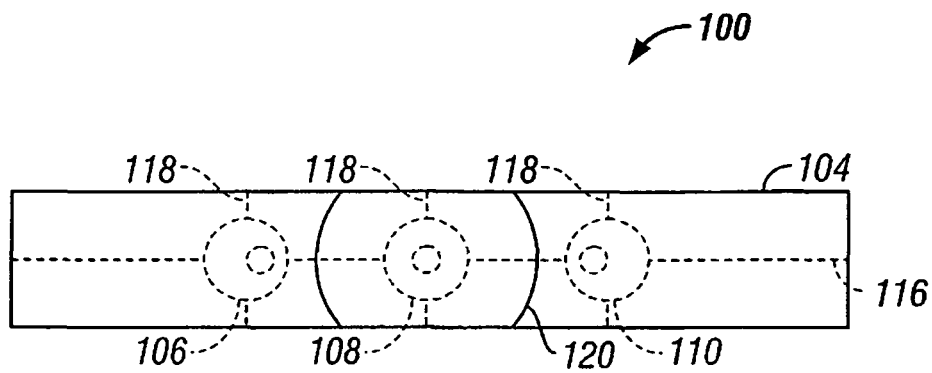


FIG. 1B

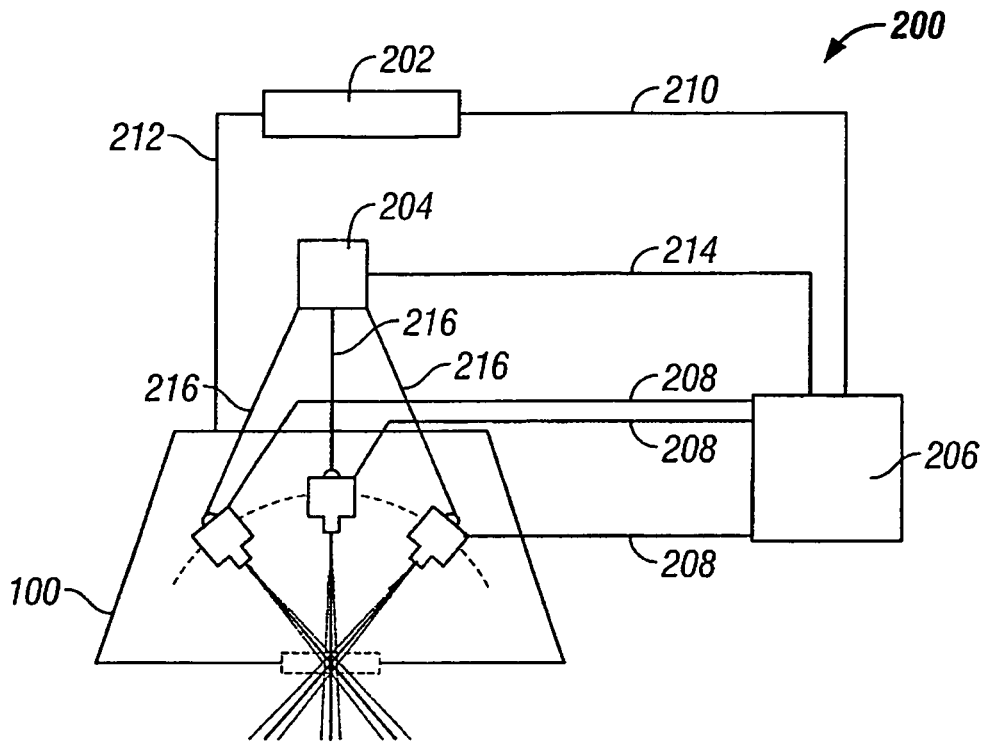


FIG. 2

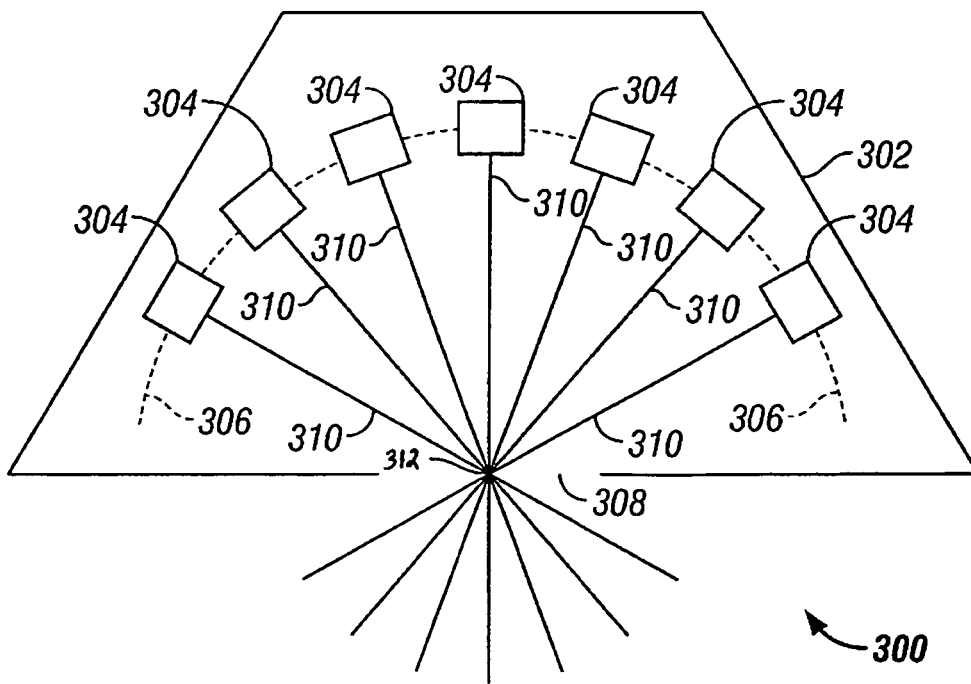


FIG. 3

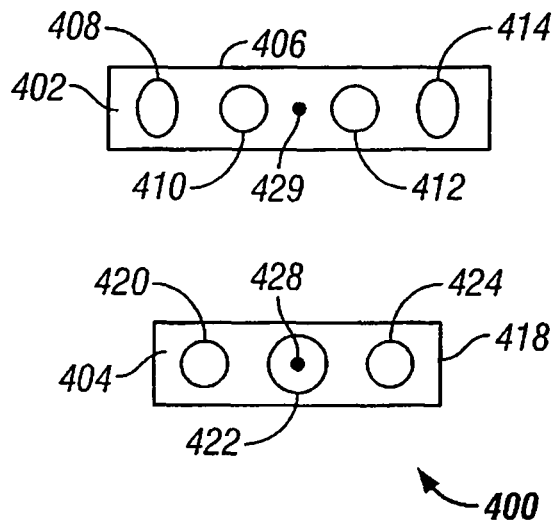


FIG. 4A

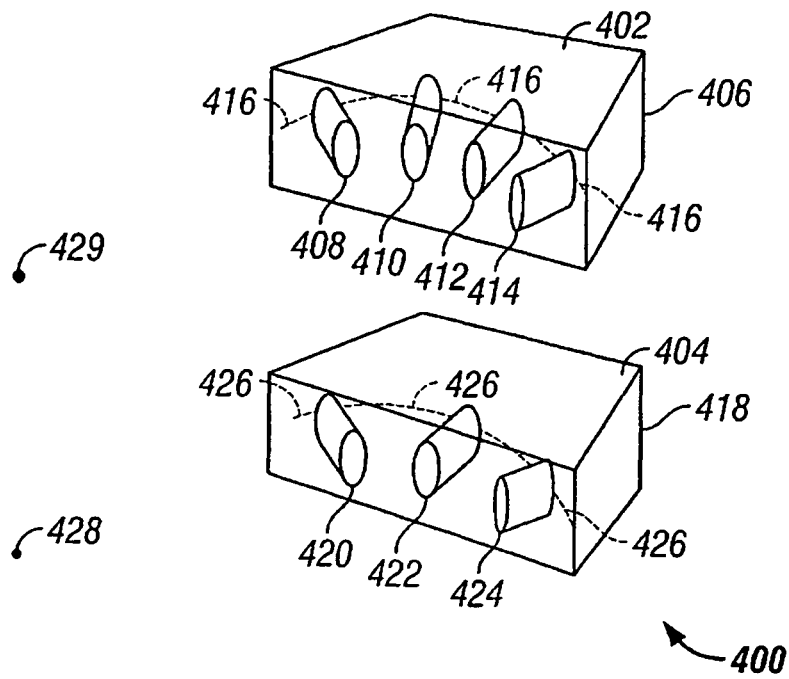


FIG. 4B

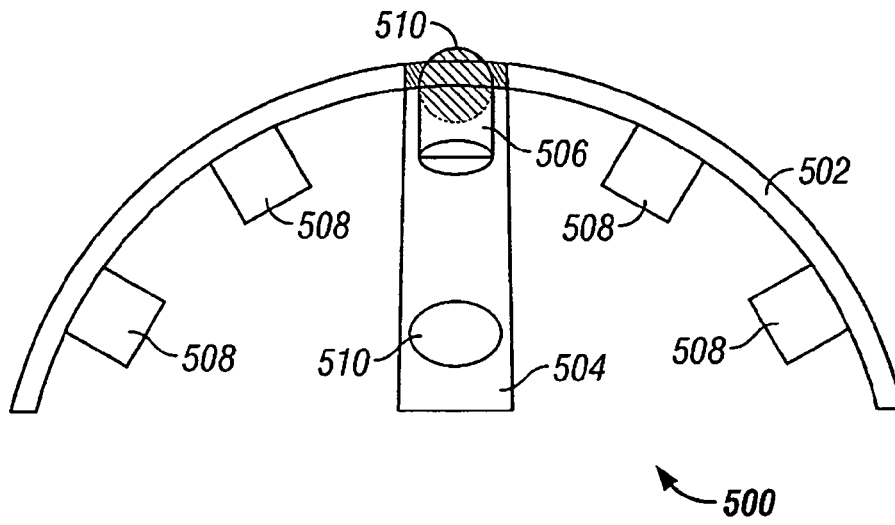


FIG. 5

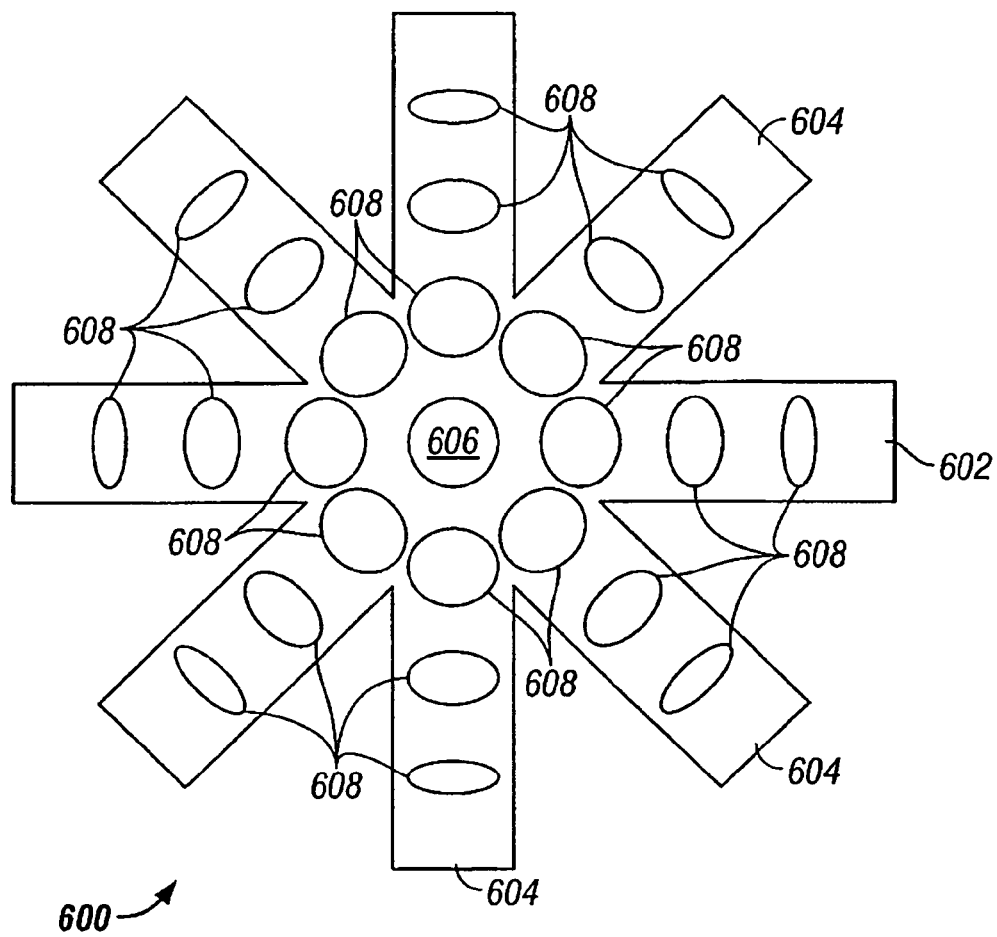


FIG. 6

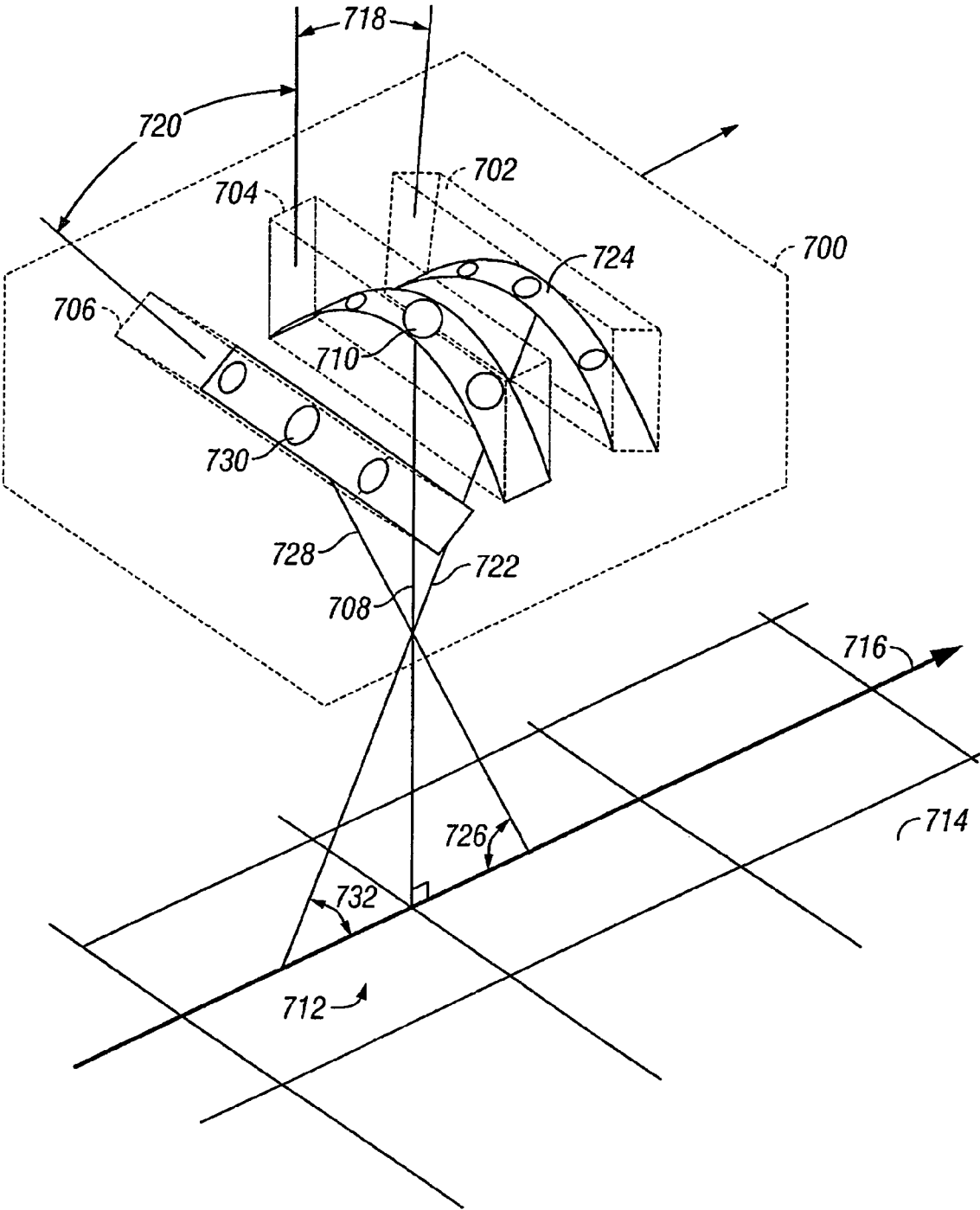


FIG. 7

1

METHOD OF PRODUCING A REMOTE IMAGING ARRAY

CROSS-REFERENCE TO RELATED APPLICATION

This application is a divisional of prior U.S. application Ser. No. 10/229,626 filed on Aug. 28, 2002 now U.S. Pat. No. 7,893,957.

TECHNICAL FIELD OF THE INVENTION

The present invention relates, generally, to the field of remote imaging techniques and, more particularly, to an imaging system providing high-resolution digital imaging over very large fields of view.

BACKGROUND OF THE INVENTION

Remote imaging is a broad-based technology having a number of diverse and extremely important practical applications—such as geological mapping and analysis, military surveillance and planning, and meteorological forecasting. Aerial and satellite-based photography and imaging are especially useful remote imaging techniques that have, over recent years, become heavily reliant on the collection and processing of digital image data. Spatial data—characterizing real estate improvements and locations, roads and highways, environmental hazards and conditions, utilities infrastructures (e.g., phone lines, pipelines), and geophysical features—can now be collected, processed, and communicated in a digital format to conveniently provide highly accurate mapping and surveillance data for various civilian and military applications (e.g., dynamic GPS mapping).

A major challenge facing some such remote imaging applications is one of image resolution. Certain applications require very high image resolution—often with tolerances of inches. Depending upon the particular system used (e.g., aircraft, satellite, or space vehicle), an actual digital imaging device may be located anywhere from several hundred feet to several miles above its target, resulting in a very large scale factor. Providing images with very large scale factors, that also have resolution tolerances of inches, poses a challenge to even the most robust imaging system.

Orthophotography is one approach that has been used in an attempt to address this problem. In general, orthophotography renders an image of a target by compiling varying images of the target. Typically, in aerial imaging applications, a digital imaging device that has a finite range and resolution records images of fixed subsections of a target area sequentially. Those images are then aligned according to sequence to render a composite of a target area. Usually, conventional systems must make some trade-off between resolution quality and the size of area that can be imaged. If the system is designed to provide high-resolution digital images, then the field of view (FOV) of the imaging device is typically small. Numerous imaging iterations must be performed in order to orthographically render an image of a large area. If the system provides a larger FOV, then usually the resolution of the digital image is decreased and the distortion is increased.

Some conventional digital imaging systems have attempted to address these issues with large-scale single lens cameras. These cameras typically comprise a very large primary optical lens, behind which a number of optical sensors are embedded. The characteristics of these configurations, especially the optical properties of the primary lens, tend to render images of very small cross sectional area. Generally,

2

sensors in these systems have either identical or coinciding lines of sight. Such systems are generally inefficient when images with wide FOV are desired. Furthermore, such systems are usually very costly. Rapid development of new sensor technologies renders these systems obsolete or requires that the systems have cumbersome and costly upgrades or modifications.

Other conventional systems have attempted to address the shortcomings of such primary lens configurations through the use of divergent sensor arrays. Usually, optical sensors are outwardly mounted along a convex brace or housing such that their focal axes diverge outwardly from the imaging device. Based on the intended scale factor for the images, the individual sensors in the array can be disposed such that their focal planes adjoin or slightly overlap at a desired distance from the target area. Although such a configuration can provide a wider FOV for imaging, it is still limited in application. The sensor arrays must be mounted within a host aircraft or spacecraft, and thus require a portal in the craft through which to obtain image data. Large sensor arrays require large portals to provide proper optical access for all the diverging sensors in the array. In many cases, however, large portal spaces are impractical, if not impossible, to provide within the small confines of a host craft. Furthermore, larger portals allow a relatively high degree of light backscatter in the array, causing ghost images and degrading the overall quality and reliability of the images obtained.

There is, therefore, a need for an imaging system that provides efficient and versatile imaging for different FOVs, especially very large FOVs while maintaining image quality and clarity.

SUMMARY OF THE INVENTION

The present invention provides an imaging system having a compound array of imaging sensors disposed such that their focal axes converge, intersect, and thereafter diverge. Individual imaging sensors can be disposed within a housing or a host craft in a concave or retinal configuration, with non-coinciding lines of sight. Depending upon the configuration of the housing or host craft, a small aperture, portal or iris may be formed in the housing, and the array positioned in relation to the aperture, portal or iris, such that the point of intersection of the focal axes coincides with the aperture, portal or iris—the size of which can thus be minimized. Thus, a small aperture in the housing or craft may provide optical access to the target area for a large number of sensors. The individual sensors are disposed, and may be selectively adjusted, to have adjoining or overlapping lines of sight within the target area, resulting in a wide collective FOV of the target area. The imaging array of the present invention thus provides images with very little image distortion. The present invention further eliminates the need for cumbersome, expensive primary lenses.

In one embodiment, the present invention provides a remote imaging system for producing an image of a target that has a housing; a first imaging sensor, coupled to the housing having a first focal axis; and at least one secondary imaging sensor, coupled to the housing and offset from the first imaging sensor, each having a focal axis.

In one embodiment, the present invention provides a system for producing an image of a target viewed through an aperture. The system preferably comprises a housing, having preferably three or more imaging sensors coupled to the housing. Each imaging sensor produces a portion of the image. Each imaging sensor has a focal axis passing through the

3

aperture, such that the focal axes of all imaging sensors intersect within an intersection area.

The present invention also provides a system for producing an image of a target viewed through an aperture that includes a housing, having a first imaging sensor centrally coupled to the housing. The first imaging sensor has a first focal axis passing through the aperture. A second imaging sensor is coupled to the housing and offset from the first imaging sensor along an axis, and has a second focal axis passing through the aperture and intersecting the first focal axis within an intersection area. A third imaging sensor is coupled to the housing and offset from the first imaging sensor along the axis, opposite the second imaging sensor. The third imaging sensor has a third focal axis passing through the aperture and intersecting the first focal axis within the intersection area.

The present invention also provides a method of producing a remote imaging array. A camera housing having a curvilinear housing axis is provided. A primary imaging sensor is coupled to the housing along the curvilinear housing axis, with the sensor's focal axis projecting outwardly from the housing. Secondary imaging sensors are coupled to the housing along the curvilinear housing axis on alternate sides of the primary imaging sensor, and aligned such that their focal axes intersect the focal axis of the primary sensor at an intersection area and their fields of view align with target areas opposite their respective positions in the housing.

In addition, the present invention provides a compound camera system that comprises a first support member, that is preferably concave, having an apex of curvature at its top. A second support member is angularly displaced with respect to the first support member. The second support member is adapted to intersect the apex of the first support member. A primary imaging sensor is centrally disposed along the concave surface of the first support member, having a primary focal axis projecting orthogonally from the first support member. A plurality of secondary imaging sensors are disposed along the concave surfaces of the first and second supports, at alternating angular intervals from the primary imaging sensor to create two arrays of sensors. The secondary imaging sensors are aligned such that their focal axes intersect with the primary focal axis in defined intersection area.

In an alternative embodiment of the invention, a remote imaging system for producing an image of a target is provided comprising a housing; an imaging sensor, coupled to the housing by electro-mechanically adjustable attachments; and an actuator that moves the imaging sensor to multiple imaging positions. In yet another alternative, a remote imaging system for producing an image of a target is provided with a housing; an imaging sensor, coupled to the housing; a moveably attached mirror system coordinated with the imaging sensor; and an actuator to move the mirror system to multiple positions to permit imaging of the terrain.

Other features and advantages of the present invention will be apparent to those of ordinary skill in the art upon reference to the following detailed description taken in conjunction with the accompanying drawings.

BRIEF DESCRIPTION OF THE DRAWINGS

For a better understanding of the invention, and to show by way of example how the same may be carried into effect, reference is now made to the detailed description of the invention along with the accompanying figures in which corresponding numerals in the different figures refer to corresponding parts and in which:

4

FIG. 1A illustrates a cross-sectional view of one embodiment of an imaging array according to the present invention; FIG. 1B is an illustration of a bottom view of the array of FIG. 1A, taken along line 1B-1B of FIG. 1A;

FIG. 2 illustrates one embodiment of a remote imaging system according to the present invention;

FIG. 3 illustrates a cross-sectional view of one embodiment of an imaging array according to the present invention;

FIG. 4A illustrates a bottom view of one embodiment of an imaging array according to the present invention;

FIG. 4B illustrates a perspective view of the imaging array of FIG. 4A;

FIG. 5 illustrates a cross-sectional view of one embodiment of an imaging array according to the present invention;

FIG. 6 illustrates a bottom view of one embodiment of an imaging array according to the present invention; and

FIG. 7 illustrates one embodiment of a remote imaging system according to the present invention.

DETAILED DESCRIPTION OF THE INVENTION

While the making and using of various embodiments of the present invention are discussed in detail below, it should be appreciated that the present invention provides many applicable inventive concepts, which can be embodied in a wide variety of specific contexts. The specific embodiments discussed herein are merely illustrative of specific ways to make and use the invention and do not limit the scope of the invention.

The preferred embodiment of the present invention provides an imaging system having a compound array of imaging sensors disposed such that their focal axes converge, intersect, and thereafter diverge. Individual imaging sensors can be disposed within a host craft in a concave or retinal configuration, with non-coinciding lines of sight. Depending upon the configuration of the host craft, a small aperture, portal or iris may be formed in the craft, and the array positioned in relation to the aperture, portal or iris, such that the point of intersection of the focal axes coincides with the aperture, portal or iris—the size of which can thus be minimized. Thus, a small aperture in the craft may provide optical access to the target area for a large number of sensors. The individual sensors are disposed, and may be selectively adjusted, to have adjoining or overlapping lines of sight within the target area, resulting in a wide collective FOV of the target area. The imaging array of the present invention thus provides high-resolution images with very little image distortion. The present invention further eliminates the need for cumbersome, expensive primary lenses.

The present invention is applicable for use in a number of photographic and imaging applications, and is particularly applicable to aerial photography and imaging. Therefore, for purposes of explanation and illustration, the present invention is hereafter described within the context of an aerial imaging application. It should be understood, however, that those of skill in the art will, upon reference to this description, be able to apply the principles and teachings of the present invention in a wide variety of imaging systems—from personal digital cameras to manufacturing conveyor inspection systems, satellites and other spacecraft-based surveillance systems.

Referring now to FIGS. 1A and 1B, one embodiment of the present invention is provided as an illustrative example. FIG. 1A depicts a camera array assembly 100 airborne over target 102 (e.g., terrain). For illustrative purposes, the relative size of assembly 100, and the relative distance between it and terrain 102, are not depicted to scale in FIG. 1A. Assembly 100 comprises a housing 104 within which imaging sensors

106, 108, and 110 are disposed along a concave curvilinear array axis **112**, forming an array **113**. In all embodiments, the radius of curvature of array axis **112** may be altered dramatically, providing the ability to effect very subtle or very drastic degrees of concavity in axis **112**. Alternatively, array axis **112** may be completely linear—having no curvature at all. Imaging sensors **106, 108, and 110** couple to housing **104**, either directly or indirectly, by attachment members **114**. Attachment members **114** may comprise a number of fixed or dynamic, permanent or temporary, connective apparatus. For example, members **114** may comprise simple welds, removable clamping devices, or electro-mechanically controlled universal joints.

As depicted in FIGS. 1A and 1B, housing **104** comprises a simple enclosure inside of which sensors **106, 108, and 110** are disposed. Sensors **106, 108, and 110** couple, via members **114**, either collectively to a single transverse cross member **116**, or individually to lateral cross members **118**, disposed between opposing walls of housing **104**. In alternative embodiments, housing **104** may itself comprise only a supporting cross member of concave curvature to which sensors **106, 108, and 110** couple, via members **114**. In other embodiments, housing **104** may comprise a hybrid combination of enclosure and supporting cross member. In the preferred embodiment, housing **104** has an aperture **120** formed in its surface, between the sensors **106, 108, 110** and target **102**. However, as mentioned above, the housing **104** structure may be varied significantly, including being a minimal structure that is open on the lower side, such that no aperture **120** is formed.

Depending upon the specific type of host craft, aperture **120** may comprise only a void, or it may comprise a protective screen or window to maintain environmental integrity within housing **104**. Optionally, aperture **120** may comprise a lens or other optical device to enhance or alter the nature of the images recorded by the sensors. Aperture **120** is formed with a size and shape sufficient to provide sensors **106, 108, and 110** with proper lines of sight to a target region **122** on terrain **102**.

Sensors **106, 108 and 110** are disposed within or along housing **104** such that the focal axes of all sensors converge and intersect each other within an intersection area **132** bounded by aperture **120**. Depending upon the type of image data being collected, the specific sensors used, and other optics or equipment employed, it may be necessary or desirable to offset the intersection area **132** or point of convergence above or below aperture **120**. Sensors **106, 108 and 110** are separated from each other at angular intervals, which are preferably equal. The exact angle of displacement between the sensors may vary widely depending upon the number of sensors utilized and on the type of imaging data being collected. In alternative embodiments, the angular displacement between sensors may be unequal—so as to provide a desired image offset or alignment. Depending upon the number of sensors utilized, and the particular configuration of the array **113**, the focal axes **124, 130, 136** of all sensors may intersect at exactly the same point, or may intersect at a plurality of points, all within close proximity to each other and within the intersection area **132** defined by aperture **120**. As the number of sensors and the ruggedness of the environment in which assembly **100** is employed increase, the precise alignment necessary to yield only a single intersection point **132** may be very difficult, if not impossible, to maintain. It is not necessary to maintain a single intersection point, as long as all axes converge and intersect in close proximity to one another such that the size and shape of aperture **120** need not be altered to provide a proper line of sight to the sensors **106, 108, 110**.

As depicted in FIG. 1A, sensor **108** is centrally disposed within housing **104** along array axis **112**. Sensor **108** has a focal axis **124**, directed orthogonally from housing **104** to align the sensor's line of sight with image area **126** of region **122**. Sensor **106** is disposed within housing **104** along array axis **112**, adjacent to sensor **108**. Sensor **106** is aligned such that its line of sight coincides with image area **128** of region **122**, and such that its focal axis **130** converges with and intersects axis **124** at intersection point **132**. Sensor **110** is disposed within housing **104** adjacent to sensor **108**, on the opposite side of array axis **112** from sensor **106**. Sensor **108** is aligned such that its line of sight coincides with image area **134** of region **122**, and such that its focal axis **136** converges with and intersects axes **124 and 130** at intersection point **132**. Sensors **106, 108 and 110**, a well as subsequently described sensors, may comprise a number of imaging devices including individual cameras, infrared sensors, seismic sensors, photo detectors and photocells. Further, the infrared sensors may be multispectral or hyperspectral. Each sensor may comprise an individual imaging device, or a group of sensors. Sensors **106, 108 and 110** are preferably of a homogenous nature, but may comprise a combination of varied imaging devices.

From point **132**, axes **124, 130 and 136** diverge. Thus, sensors **106 and 110** are alternately disposed within housing **104** along array axis **112** such that each sensor's focal axis converges upon point **132**, crosses focal axis **124**, and aligns its field of view with a target area opposite its respective position in the array **113**—resulting in a “cross-eyed”, retinal relationship between the sensors and the imaging target(s). If members **114** are of a permanent and fixed nature (e.g., welds), then the spatial relationship between aperture **120**, the sensors, and their lines of sight remain fixed—as will the spatial relationship between image areas **126, 128 and 134**. Such a configuration may be desirable in, for example, a satellite surveillance application where assembly **100** will remain at an essentially fixed distance from region **122**. The position and alignment of the sensors is set such that areas **126, 128 and 134** provide full imaging coverage of region **122**.

In other applications, however, it may be desirable to selectively adjust, either manually or by remote automation, the position or alignment of the sensors so as to shift, narrow or widen areas **126, 128 and 134**, and thereby enhance or alter the images collected by assembly **100**. One such embodiment is illustrated now by reference to FIG. 2.

An airborne imaging system **200** is depicted, and comprises an array assembly **100** in addition to a flight control system **202**, a camera control system **204**, and an image processing system **206**. System **206** receives imaging data from the imaging sensors within assembly **100** via communicative links **208**. Links **208** may comprise direct, physical connectors (e.g., wires, cables) between assembly **100** and system **206**, or they may comprise communications connections (e.g., wireless transceivers). System **206** may be located within the same host craft (e.g., airplane) as assembly **100**, or may be remotely located apart from the host craft (e.g., satellite monitoring station). Imaging data from assembly **100** is transmitted to system **206**, where it may be monitored, analyzed, processed or stored. If a change is desired in the imaging data being collected by assembly **100**, system **206** may initiate changes in the position of the host craft, assembly **100**, the individual sensors within assembly **100**, or any combination thereof.

If a change in the position of the host craft is desired, system **206** provides notification of the desired change to flight control system **202** via communicative link **210** (e.g.,

change altitude). Link **210** may comprise a direct, physical connector (e.g., wire, cable) or an indirect communications connection (e.g., wireless transceivers). System **202** may comprise a number of collocated or remote navigation systems or combinations thereof—from a pilot onboard an aircraft to a remote flight control system on a satellite.

If a change in the position of assembly **100**, with respect to the host craft or housing **104**, is desired, system **206** provides notification of the desired change to system **202** via link **210**, which communicates the necessary adjustment to assembly **100** via link **212**. Link **212** may comprise a communicative link (e.g., cable, wireless transceivers) that notifies assembly **100** of the desired change (e.g., raise, lower, rotate), leaving assembly **100** to actuate the change via internal or externally associated mechanical systems (e.g., hydraulics). Alternatively, link **212** may comprise a mechanical link that directly effects the desired change itself. Link **210** may comprise a direct, physical connector (e.g., wire, cable) or an indirect communications connection (e.g., wireless transceivers).

If a change in the position of one or more of the individual sensors in assembly **100** is desired, system **206** provides notification of the desired change to camera control system **204** via communicative link **214** (e.g., change position of focal intersection point **132**). Link **214** may comprise a direct, physical connector (e.g., wire, cable), or an indirect communications connection (e.g., wireless transceivers). Individual sensors within assembly **100** receive notification of desired changes (e.g., change position, change angle) via links **216**, which communicate the necessary adjustments to members **114**. Links **216** may comprise communicative links (e.g., cables, wireless transceivers) that notify members **114** of changes desired (e.g., raise, lower, rotate), leaving members **114** to actuate the changes via internal or externally associated mechanical systems (e.g., hydraulics). Alternatively, links **216** may comprise mechanical links that directly effect the desired changes. System **204** may comprise a number of control devices and systems, disposed within assembly **100**, located externally but proximal to assembly **100**, or remote from assembly **100**, or combinations thereof.

Although depicted as separate systems in FIG. 2, systems **202**, **204**, and **206** may, depending upon the application and host craft or housing **104** configuration, comprise separate functionalities of a single control system deployed within the host craft. Consider for example, a computer-based, self-contained, electro-mechanical control system on board a manned surveillance aircraft. In other embodiments (e.g., a surveillance satellite), certain elements (e.g., system **202** and **204**) may be deployed within the host craft (e.g., the satellite) while other elements (e.g., system **206**) are remotely located (e.g., at a monitoring facility). Other combinations of the systems described above are also comprehended by the present invention.

Referring now to FIG. 3, another embodiment of the present invention is provided as an illustrative example. FIG. 3 depicts a camera array assembly **300**, comprising a housing **302** within which a plurality of imaging sensors **304** are disposed along a concave curvilinear array axis **306**. Assembly **300** is essentially identical in composition, construction, and operation to assembly **100**, with the exception of having a greater number of imaging sensors **304** disposed therein. The sensors **304** couple to housing **302**, either directly or indirectly, by attachment members (not shown). The sensors **304** may couple collectively to a single transverse cross member **116**, individually to lateral cross members **118**, or directly to housing **302**. Housing **302** comprises an aperture **308** formed in its surface, between the sensors **304** and a target below (not shown). Depending upon the specific type of

imaging application and host craft, aperture **308** may comprise a void, a protective screen or window, or a lens or other optical device. Aperture **308** is formed with a size and shape sufficient to provide sensors **304** proper line of sight to a target region.

Sensors **304** are disposed within or along housing **302** such that the focal axes **310** of all sensors **304** converge and intersect each other within the area defined by aperture **308**. Again, the focal axes **310** of all sensors **304** may intersect at exactly one intersection point **312**, or may intersect at a plurality of intersection points all within close proximity to each other and within the area defined by aperture **308**. As depicted in FIG. 3, the sensors **304** are disposed within housing **302** along array axis **306** in a “cross-eyed” fashion. One sensor is centrally disposed, with focal axis **310** directed orthogonally from housing **302**. The other sensors **304** are alternately disposed within housing **302** along axis **306** such that the focal axis **310** of each sensor **304** converges upon point **312**, crosses the focal axis of the central sensor, and aligns its field of view with a target area opposite its respective position in the array. Again, the sensors **304** may comprise a number of imaging devices including individual cameras, infrared sensors, seismic sensors, photo detectors and photocells—either as individual devices or as a group. Preferably sensors **304** are all of a homogenous nature, but they may comprise a combination of varied imaging devices. Again, the relative positions and angles of the sensors **304** may be fixed, or may be manually or mechanically adjustable.

The embodiments described thus far are particularly useful for collecting and processing imaging data extremely wide, rectilinear strips. Using orthophotographic techniques, the rectilinear image can be combined with subsequent images taken along the host craft’s flight path to create a composite image having an extremely large FOV. The present invention provides further embodiments that may lessen or eliminate the need for orthophotographic techniques, depending upon the application.

One such embodiment is illustrated now with reference to FIGS. 4A and 4B. FIGS. 4A and 4B depict a camera array assembly **400**. Except for the differences described hereafter, assembly **400** is similar in composition, construction, and operation to assemblies **100** and **300**. As depicted in FIGS. 4A and 4B, assembly **400** comprises first imaging element or array **402** and second array **404**. Arrays **402** and **404** are configured as parallel sub-arrays of imaging sensors, longitudinally offset by a desired margin. Array **402** comprises housing **406**, within which imaging sensors **408**, **410**, **412**, and **414** are disposed in accordance with the present invention along concave curvilinear array axis **416**. Array **404** comprises housing **418**, within which imaging sensors **420**, **422**, and **424** are disposed in accordance with the present invention along concave curvilinear array axis **426**. Elements **402** and **404** are disposed within a host craft in close longitudinal proximity to each other, having axes **416** and **426**, preferably in parallel alignment, to collect and provide imaging data for a common target region (not shown).

Sensors **408**, **410**, **412**, **414**, **420**, **422**, and **424** are preferably similar in shape and size, but may be of differing shapes and sizes, providing the ability to retrieve an image of the target region having a desired shape or size. Individual sensors having specific shapes and sizes can be disposed and manipulated to focus on image areas that adjoin or overlap in desired patterns. As depicted in FIGS. 4A and 4B, sensor **422** is centrally disposed within housing **418** along array axis **426** such that its focal axis is directed from housing **418** through intersection area **428**. Area **428** is a point or small region through which the focal axes of all the imaging sensors within

418 align. Arrays **402** and **404** may be disposed within assembly **400** such that area **428** is orthogonally centered with respect to sensor **422**, whereas the array **402** is orthogonal centered on area **429** (as depicted in FIG. 4A).

Sensors **420** and **424**, similar in shape and size to sensor **422**, are alternately disposed within housing **418** along array axis **426** such that the focal axis of each converges upon area **428**, crosses the focal axis of sensor **422**, and aligns its field of view with a target area opposite its respective position in the array **404**.

Sensors **410** and **412**, similar in shape and size to sensor **422**, are alternately disposed within housing **406** along array axis **416** such that the focal axis of each converges upon area **429** and align their field of view with a target area opposite their respective position in the array **404**. Sensors **410** and **412** are disposed within housing **406** such that their fields of view align with the gaps between sensors **420**, **422**, and **424**.

Sensors **408** and **414**, preferably of similar size and shape as sensor **422**, are alternately disposed within housing **406** along array axis **416** such that the focal axis of each converges upon area **429**. Sensors **410** and **412** are disposed within housing **406**, outside sensors **410** and **412**, such that their fields of view align outside all sensors in element **404**. The slight offset in the sensors of elements **402** and **404** provide assembly **400** with the ability to produce images having customizable FOVs. In alternative embodiments, any number of arrays, containing any number of sensors having various shapes and sizes, may be combined to provide imaging data on any desired target region. In such embodiments, the resulting offset in images collected by the sub-arrays of assembly **400** may be resolved with one another, using a variety of image processing techniques, to provide a single high-resolution image.

In still another embodiment of the present invention, depicted in FIG. 5, a cross-sectional view of a camera array assembly **500** is illustrated. Except for the differences described hereafter, assembly **500** is similar in composition, construction, and operation to assemblies **100**, **300** and **400**. Assembly **500** comprises a first compound member **502**, shown in side view, and a second compound member **504**, shown in cross-sectional view. Member **502** comprises a curvilinear support member or array, to which a number of imaging sensors **508** are disposed along its concave side. A primary imaging sensor **506** is centrally disposed along the concave side of member **502**, with its focal axis directed orthogonally downward from assembly **500**.

A number of imaging sensors **508** are also disposed along the concave side of member **502**, in a “cross-eyed” fashion. The cross-eyed sensors **508** are alternately disposed along member **502** such that the focal axis of each sensor **508** converges upon and crosses the focal axis of sensor **506** at a single intersection area (not shown), and aligns its field of view with a target area opposite its respective position in the array.

Member **504** also comprises a curvilinear support member or array, to which a number of imaging sensors **510** are disposed along its concave side. Member **504** is preferably formed orthogonal to **502** and is of a size and curvature sufficient to match the arch of member **502**. Member **504** may be formed or disposed such that its concave surface contacts, or even couples to, the convex surface of member **502** at its apex. Alternatively, member **504** may bridge over member **502**, clearing its apex within proximal distance thereto. Imaging sensors **510** are disposed along the concave side of member **504**, in a “cross-eyed” fashion. The cross-eyed sensors **510** are alternately disposed along member **502** such that the focal axis of each sensor **510** converges upon and crosses the

focal axis of sensor **506** at the single intersection area, and aligns its field of view with a target area opposite its respective position in the array.

The distance and angular offsets in the sensors of elements **502** and **504**, coupled with the shared intersection area, provide assembly **500** with the ability to produce images having customizable FOVs. Depending upon the elements and sensors utilized, assembly **500** may be deployed to produce stereoscopic images. In alternative embodiments, any number of elements, containing any number of sensors having various shapes and sizes, may be combined to provide imaging data on any desired target region.

Another embodiment, enhancing the advantages of assembly **500**, is illustrated in FIG. 6. FIG. 6 depicts a camera array assembly **600** from a bottom view. Assembly **600** comprises a primary compound curvilinear member or array **602**, and a plurality of compound curvilinear members **604** that are formed of size and curvature sufficient to offset and arch over or contact member **602** at various angular intervals. Any number of members **604** may be employed, and may be so numerous as to form a dome structure for mounting sensors. The angular displacement between the members **604** varies depending upon the size of the members and the desired imaging characteristics. For example, assembly **600** may comprise two support members in an orthogonal (i.e. 90°) relationship with one another. Another assembly, having three support members, may be configured such that the angular displacement between members is 60°.

A primary imaging sensor **606** is centrally disposed along the concave side of member **602**, with its focal axis directed orthogonally downward from assembly **600**. A number of imaging sensors **608** are disposed, in accordance with the teachings of the present invention, along the concave sides of members **602** and **604** in a “cross-eyed” fashion. The cross-eyed sensors **608** are alternately disposed along members **602** and **604** such that the focal axis of each sensor preferably converges upon and crosses the focal axis of sensor **606** at a single intersection area (not shown), and aligns its field of view with a target area opposite its respective position in the array. Depending upon the shape and size of sensors **608**, assembly **600** provides the ability to produce images having customizable FOVs, of a generally circular nature. Depending upon the elements and sensors utilized, assembly **600** may be deployed to produce stereoscopic images. In alternative embodiments, any number of elements, containing any number of sensors having various shapes and sizes, may be combined to provide imaging data on any desired target region.

Referring now to FIG. 7, one embodiment of a camera array assembly **700** in accordance with the present invention is depicted. Assembly **700** is similar in composition, construction, and operation to assemblies **100**, **300** and **400**. Assembly **700** comprises first imaging element or array **702**, second imaging array **704**, and third imaging array **706**. Array **704** is configured as a primary sensor array, disposed within assembly **700** such that the focal axis **708** of its primary sensor **710** is directed downwardly from assembly **700**, orthogonal to target area **712** along terrain **714**. Assembly **700** is disposed within a host craft that moves, with respect to terrain **714**, along flight path **716**. Elements **702**, **704** and **706** are configured within assembly **700** as sub-arrays of imaging sensors. Element **702** is offset, with respect to flight path **716**, ahead of element **704** and offset there from by angular offset **718**. Similarly, element **706** is offset, with respect to flight path **716**, behind element **704** and offset there from by angular offset **720**. Angular offset **718** is selected such that the focal axis **722** of primary sensor **724** on element **702** is directed downward to target area **712**, forming angle **732**. Angular

offset 720 is selected such that the focal axis 728 of primary sensor 730 on element 706 is directed downward to target area 712, forming angle 726. Angular offsets 718 and 720 are preferably equal, although they may be skewed to provide a desired imaging effect. The focal axes of the other individual sensors along elements 702, 704 and 706 form similar angular relationship to target area 712 and one another, subject to their respective positions along the elements. Imaging data is characterized, on a pixel-by-pixel basis, in terms of the positional and angular relationships described above.

Knowing the positional and angular relationships among elements 702, 704, 706, and their constituent individual sensors, imaging data collected by assembly 700 are processed to provide high-resolution orthographic images. In alternative embodiments, the elements and sensors are configured, and the data collected is processed, to provide high-resolution stereographic images. The size and resolution of the imaging array may be altered in accordance with the present as described above.

In another embodiment of the present invention, the camera assembly 700 is modified and comprises one imaging element or array 702, configured as a primary sensor array, as described above, and having an actuator or motor (not shown) that rocks or moves the array 402 back and forth. Alternatively, the actuator may flip or rotate the array 702. In one preferred embodiment, the array 702 is directed to forward, downward, and backward positions. In another embodiment of the invention, the array 702 is stationary, and a moving mirror system is used in conjunction with the mirror system to collect sensor data from multiple positions of the terrain 714.

The embodiments and examples set forth herein are presented to best explain the present invention and its practical application and to thereby enable those skilled in the art to make and utilize the invention. However, those skilled in the art will recognize that the foregoing description and examples have been presented for the purpose of illustration and example only. The description as set forth is not intended to be exhaustive or to limit the invention to the precise form disclosed. Many modifications and variations are possible in light of the above teaching without departing from the spirit and scope of the following claims.

What is claimed is:

1. A method of producing a remote imaging array, comprising the steps of:

providing a camera housing, having a curvilinear array axis;

coupling a first imaging sensor, having a focal axis, to the housing along the curvilinear array axis;

coupling a second imaging sensor, having a focal axis, to the housing along the curvilinear array axis adjacent to the first imaging sensor, such that the focal axes of the first and second imaging sensors intersect one another at an intersection area in a cross-eyed fashion;

coupling a third imaging sensor, having a focal axis, to the housing along a curvilinear array axis adjacent to the first imaging sensor, opposite the second imaging sensor, such that the focal axes of the first and third imaging sensors intersect one another at the intersection area in a cross-eyed fashion; and

aligning the second and third imaging sensors' fields of view with target areas opposite their respective positions in the housing.

2. The method of claim 1, wherein the step of aligning the first, second and third imaging sensors further comprises aligning their focal axes to intersect within an intersection area.

3. The method of claim 1, wherein the steps of aligning the first, second and third imaging sensors further comprises aligning their focal axes to intersect at an aperture.

4. The method of claim 1, wherein the steps of aligning the first, second and third imaging sensors further comprises aligning their focal axes to intersect at a target.

5. The method of claim 1, wherein the steps of aligning the first, second and third imaging sensors further comprises aligning their focal axes to intersect at a point.

6. The method of claim 1, wherein the step of aligning the second and third imaging sensors further comprises aligning their focal axes to be parallel to each other.

7. The method of claim 1, wherein the steps of aligning the second and third imaging sensors further comprises aligning their focal axes to diverge from one another.

8. The method of claim 1, wherein the steps are repeated to produce a plurality of imaging arrays.

9. The method of claim 1, wherein the steps of aligning the first, second and third imaging arrays further comprises aligning their focal axes to intersect at a point.

10. A method of producing a remote imaging array, comprising the steps of:

providing a camera housing, having a curvilinear array axis;

coupling a first imaging array, having a focal axis, to the housing along the curvilinear array axis;

coupling a second imaging array, having a focal axis, to the housing along the curvilinear array axis adjacent to the first imaging array, such that the focal axes of the first and second imaging arrays intersect one another at an intersection area in a cross-eyed fashion;

coupling a third imaging array, having a focal axis, to the housing along a curvilinear array axis adjacent to the first imaging array, opposite the second imaging array, such that the focal axes of the first and third imaging arrays intersect one another at the intersection area in a cross-eyed fashion; and

aligning the second and third imaging arrays' fields of view with target areas opposite their respective positions in the housing.

11. The method of claim 10, wherein the step of aligning the first, second and third imaging arrays further comprises aligning their focal axes to intersect within an intersection area.

12. The method of claim 10, wherein the steps of aligning the first, second and third imaging arrays further comprises aligning their focal axes to intersect at an aperture.

13. The method of claim 10, wherein the steps of aligning the first, second and third imaging arrays further comprises aligning their focal axes to intersect at a target.

14. The method of claim 10, wherein the step of aligning the second and third imaging arrays further comprises aligning their focal axes to be parallel to each other.

15. The method of claim 10, wherein the steps of aligning the second and third imaging arrays further comprises aligning their focal axes to diverge from one another.